



## D10 Series

## Lead Free Bronze Positive Displacement Water Meters



The D10 is a positive displacement meter that is suitable for use on potable drinking water systems. The meters have a low starting flow rate and excellent accuracy (+/- 1.5%) within the normal flow range.

All sizes include an internal magnet for use with a reed switch for pulse output. Reed switches are available with a 5 foot long, 2-wire cable that can be easily inserted into the meter. All sizes produce 1 pulse per gallon. 1 pulse per 10 gallons is available as special order.

### FEATURES

- Meter body made of lead free bronze
- Positive displacement nutating disc allows for installation in any orientation
- Easy to read "odometer" style register, with full-face dial and smaller inset dial for finer increments
- Low starting flow rate and high accuracy
- Accurately meters in any orientation
- Star shaped spinner for low-flow and leakage indication
- Register can be removed for replacement or repair WITHOUT removing meter from the line.
- Heat treated glass lens protects register and dials from damage, dirt, and moisture
- Hinged protective cover opens more than 180° for ease of viewing register
- Magnetic drive offers very low transmission resistance
- Pulse output cable produces 1 pulse per gallon for easy addition of digital counter or use with PLC or HMI

### ACCESSORIES (see page 3 for details)

- Flange Kits
- Digital pulse counter
- Check valve
- Garden hose adapters

### SIZES & END CONNECTIONS

**NPT (male) Threaded:** 1/2" to 1"

**2-bolt Oval Flanged:** 1 1/2" & 2"

**Note:** Threaded meter bodies have straight meter threads. These models come with a set of meter to NPT adapters. Flanged meters DO NOT INCLUDE FLANGES. Flange kits that include 2 flanges, 2 gaskets, and 4 nut & bolt sets can be ordered.

### ACCURACY

+/- 1.5% in normal flow rate range  
+1%, -5% for flows below the lower limit

### MAXIMUM PRESSURE

up to 150 PSI

### MAXIMUM TEMPERATURE

122°F

### MAXIMUM READING

9,999,999.99 (10 million)

### INCREMENT

0.01 gallons

### TYPICAL APPLICATIONS

- Residential cold water metering
- Multi-unit building submetering

### APPROVALS & CERTIFICATIONS

- Meets NSF61-G/NSF 372 Lead Free Standards
- Conforms to AWWA C700



AWWA C700

**American Water Works  
Association**

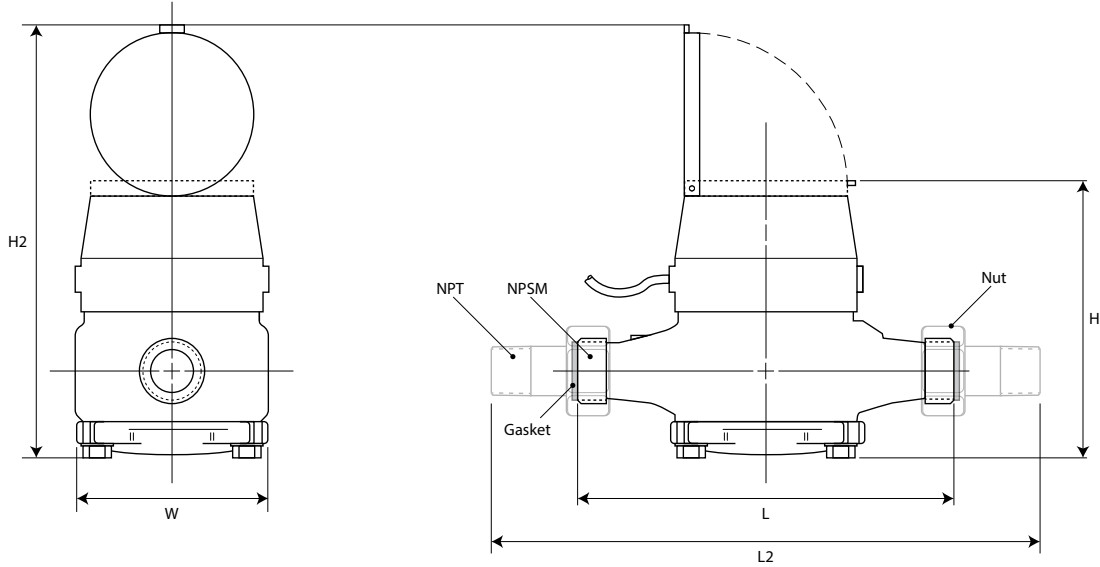


## D10



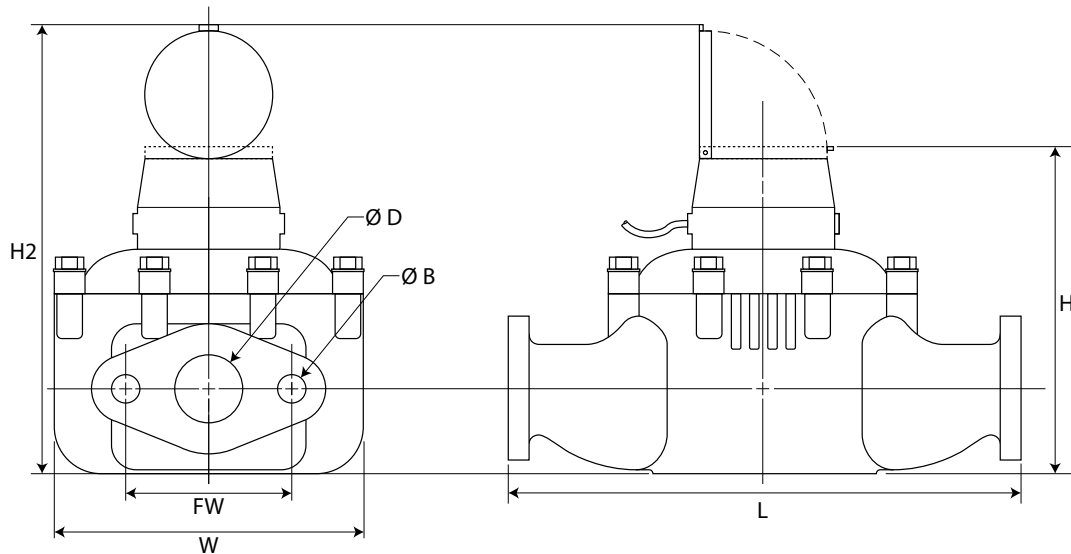
## Lead Free Bronze Positive Displacement Water Meters

**DIMENSIONS** (1/2" to 1") [inches, pounds, gallons per minute]



Model/Size	L	L2	W	H	H2	NPT	NPSM	Nut (flats)	Weight	High Flow	Cont. Flow	Low Flow	Normal Flow
<b>D10-NSF-050</b>	7.5	11.32	3.86	5.5	8.6	1/2"	3/4"	1.18	4.25	20	10	1/8	1-20
<b>D10-NSF-075</b>	7.5	11.64	3.86	5.5	8.6	3/4"	1"	1.46	4.25	30	15	1/2	1-20
<b>D10-NSF-100</b>	10.75	12.59	6.56	7.4	10.55	1"	1 1/4"	1.84	10.87	50	25	3/4	3-50

**DIMENSIONS** (1 1/2" to 2") [inches, pounds, gallons per minute]



Model/Size	L	W	H	H2	Ø D	Ø B	FW	Weight	High Flow	Cont. Flow	Low Flow	Normal Flow
<b>D10-NSF-150F</b>	13	8.0	8.2	11.3	1.65	0.78	4.0	23	100	50	1 1/2	5-100
<b>D10-NSF-200F</b>	17	9.5	8.5	11.6	2.00	0.78	4.5	35	160	80	2	8-160

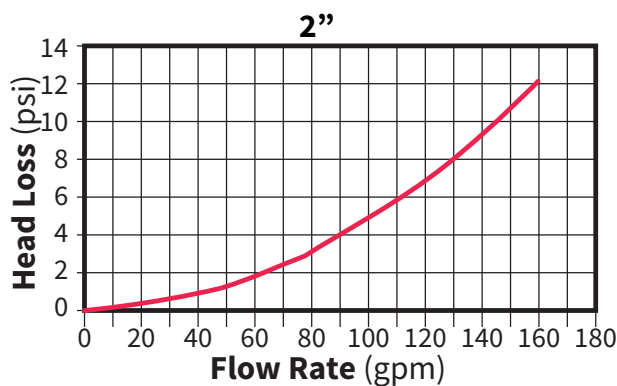
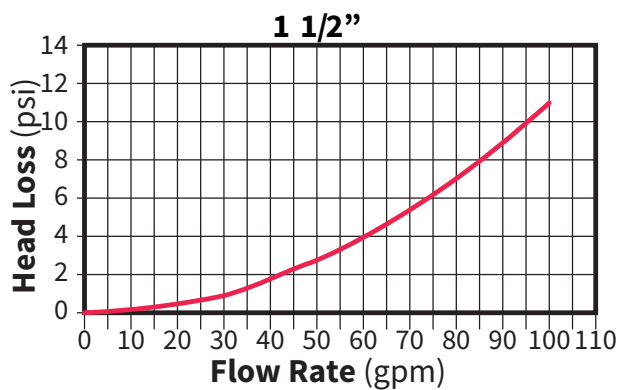
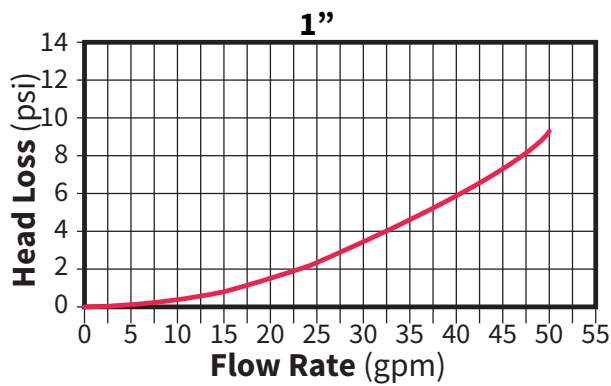
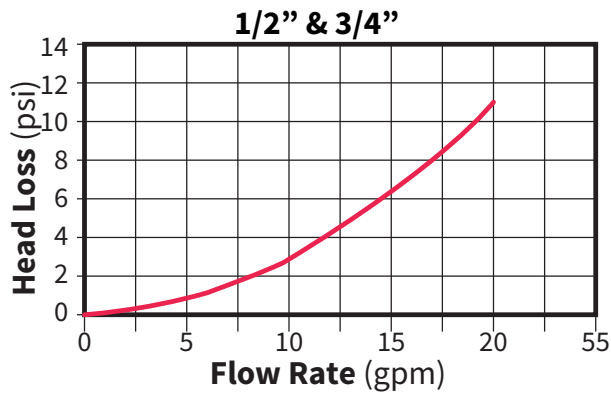


## D10

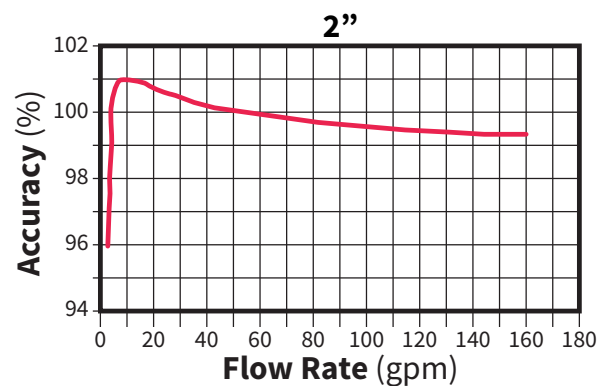
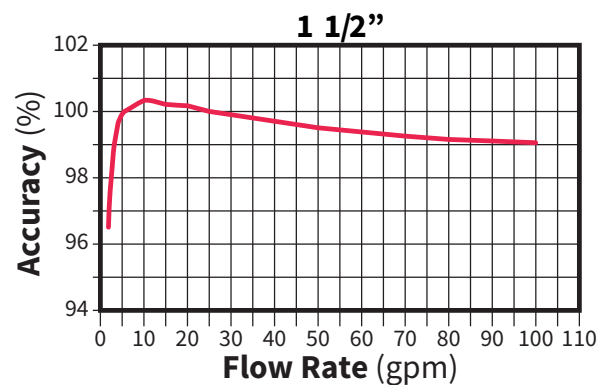
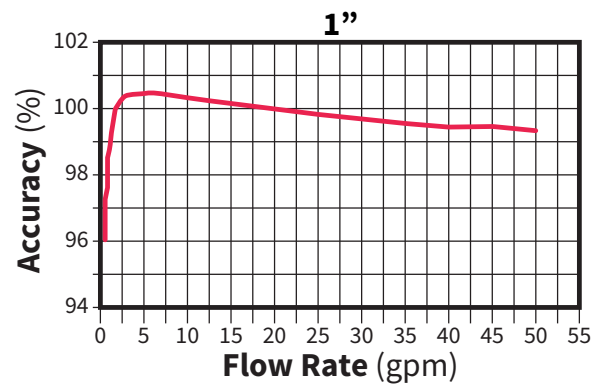
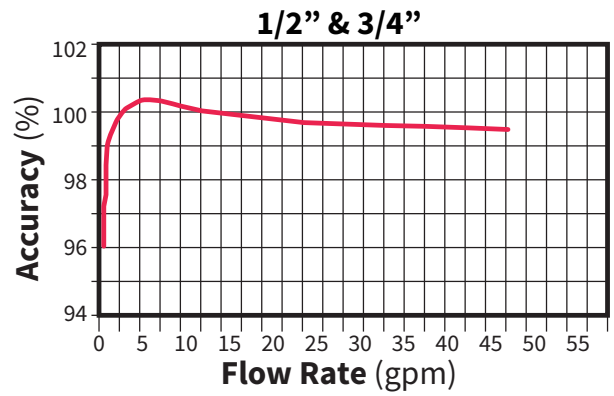


## Lead Free Bronze Positive Displacement Water Meters

### HEAD LOSS CURVES (pressure drop)



### ACCURACY CURVES





## D10



## Lead Free Bronze Positive Displacement Water Meters

### ORDERING INFORMATION

**D10 - NSF - 050 - R/1P**

Series      Size      Pulse Output

Series: \_\_\_\_\_  
**D10-NSF-** = Lead Free Bronze Positive Displacement Water Meter

Size: \_\_\_\_\_  
**050** = 1/2" NPT (male) (1-20 gpm)  
**075** = 3/4" NPT (male) (1-20 gpm)  
**100** = 1" NPT (male) (3-50 gpm)  
**150F** = 1 1/2" oval flange (5-100 gpm)  
**200F** = 2" oval flange (8-160 gpm)

Pulse Output: \_\_\_\_\_  
*(omit)* = none  
**-R/1P** = 1 pulse per gallon (*all sizes*)

### ACCESSORIES

All accessories for this meter ship loose with the meter. To order any accessories use the part numbers listed below

#### Garden Hose Adapters (set):



One NPT Female x Male Garden Hose Thread  
 One NPT Female x Female Garden Hose Thread

Attach these adapters to the meter ensuring that the flow direction is correct to use the meter inline on any standard garden hose.

**WMGHA050** = Garden Hose Adapter set for 1/2" meters

**WMGHA075** = Garden Hose Adapter set for 3/4" meters

*Only available for sizes 1/2" and 3/4".*

#### Check Valves:



Lead free brass check valves are available to prevent reverse flow through meter. Reverse flow will deduct from the meter's total. The use of a check valve will also prevent the meter and upstream water from being contaminated by debris or additives like fertilizer that get added downstream from the meter.

**C112CVLFN** = 1/2" NPT Lead Free Brass Check Valve

**D112CVLFN** = 3/4" NPT Lead Free Brass Check Valve

**E112CVLFN** = 1" NPT Lead Free Brass Check Valve

**G112CVLFN** = 1 1/2" NPT Lead Free Brass Check Valve

**H112CVLFN** = 2" NPT Lead Free Brass Check Valve

#### Digital Display with Reset:



Add a remote digital display that can be reset to simplify reading. Simply attach the 2 wires from the meters pulse output to terminals #2 and #6 on the display.

**KAL-D06** - digital display only (for panel mount)

**KAL-D06-DIN32-ENC** - digital display in weatherproof enclosure

**LOCK-KAL-D06** - digital display w/ lockable reset in wp enclosure

**T210** - weatherproof digital display for touch reader

#### Flange Kits:



Flanges are NPT threaded for attaching to pipes.

The kits include:

- 2 flanges
- 2 gaskets
- 4 bolts
- 4 nuts

**FLG150LF KIT** = 1 1/2" 2-bolt oval flange Kit

**FLG200LF KIT** = 1 1/2" 2-bolt oval flange Kit