



KAL-D06 Digital Pulse Counter with LCD Display



KAL-D06

The KAL-D06 counters are small, lithium battery powered, totalizing counters that are panel mounted. The counters are designed as replacements for standard electro-mechanical counters. They use the latest custom CMOS technology and incorporate an 8 digit, 0.354" (9mm) high, LCD display.

It operates from a long life lithium battery (10 years) and can be operated from contact closure or high speed electronic devices. No separate alkaline batteries are required. The front reset button can be disabled if desired and an external reset can be used. The display can be backlit using an external power source.



in mounting frame
(included)

FEATURES

- 8 Digits Standard
- Meets NEMA 4X and IP65 Ratings
- Long Life (10 Year) Lithium Battery
- 10 kHz Count Speed
- Backlighting using external power
- 6-Screw Wiring Terminal Block
- Slow Speed Input for Contact Closures
- High Speed Input for Sinking Inputs from a Max. of 18VDC Without Module
- UL Listed

TYPICAL APPLICATIONS

- Adding a RESET function to a mechanical totalizer meter
- Adding a remote display to a meter that is in a difficult location
- Simplifying the reading of a meter
- Residential cold water metering
- Multi-unit building submetering

ACCESSORIES (see page 2 for details)

- **Weatherproof Enclosure**

SPECIFICATIONS

Battery: Non-replaceable Lithium battery, expected life of 10 years at 20°C

Display: 8 digit black LCD, Digit size 0.354" (9mm) high, with leading zero blanking.

Backlight: backlight requires external 5V supply ($\pm 0.5V @ 20mA$). 12V, 24V and 30V can be used with the use of an external resistor, see backlight wiring diagram for details and resistor values.

Reset: Single button on display (can be disabled if desired) and/or remote

Count Range: 0 - 99,999,999 rolls over to 0

Temperature Range:

Operating: 14 to 140°F (-10 to 60°C)
Storage: -4 to 140°F (-20 to 60°C)

Relative Humidity:

80% max. up to 31°C
decreasing to 50% max. at 40°C

Electrical Connection: Finger-proof 6-screw terminal for wires up to 0.06" (1.5mm)



in weatherproof box
(sold separately)
and backlit
(external power required)



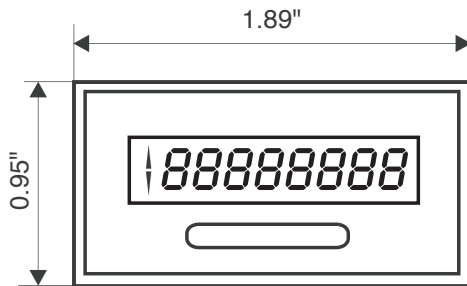


KAL-D06

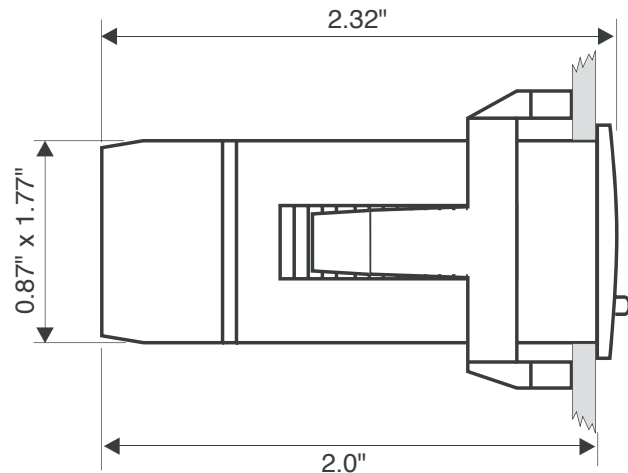


Digital Pulse Counter with LCD Display

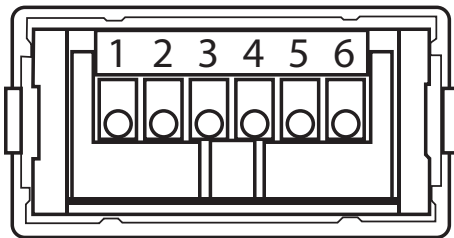
DIMENSIONS



Panel Cutout: 0.92" x 1.77"



WIRING INSTRUCTIONS (for common use with water meters)



- 1 - High Speed Counter Input
- 2 - Low Speed Counter Input
- 3 - External Reset Input
- 4 - Direction Input
- 5 - External Power for Backlight +VDC
- 6 - 0V, Common

Simple Low Speed Counter: (most common use)

Connect the wires from the pulse output reed switch to terminals #2 & 6. Polarity does not matter.

External Reset:

Connect the wires from the external reset button to terminals #3 & 6. Polarity does not matter.

Switch Direction:

Connect the wires from the flow direction switch to terminals #4 & 6. Polarity does not matter. Direction will NOT change until the next pulse is received.

Disable Front Panel Reset:

Remove the bottom jumper that is connecting the bottom 2 pins. (jumpers are located on the side of the unit)

Turn On Backlight:

Connect the wires from the external power to terminals #5 & 6. 0 VDC to #6, and +VDC to #5. (see voltages and resistors below)

5 VDC: no resistor

12 VDC: R = 360Ω

24 VDC: R = 1KΩ

30 VDC: R = 1.2KΩ

For voltages other than 5, place a resistor specified here on the +VDC wire leading to terminal screw #5.

ACCESSORIES

NEMA 4X Weatherproof Enclosure:



Mount your digital pulse counter outdoors using this NEMA 4X rated enclosure box.

DIN32-ENC = Weatherproof enclosure for KAL-D06 Digital Pulse Counter