

## KZ-SS2 Electrically Actuated Stainless Steel Ball Valves



### Description

The KZ-SS2 Series ball valves include fast-acting, weatherproof, electric actuators. These valves are field tested not just to prove they are waterproof and durable, but to ensure maintenance free performance and long operating life. Actuator housings, electrical components, and valve components are all designed with durability in mind which is why they are a favorite for OEMs in many industries.

### Key Features

- Full port for unrestricted flow
- Fast-acting electric actuators
- Compact, lightweight, and rugged construction for long life even in harsh environments
- Clear indication of valve position via flag and lamps
- WeatherPak weatherproof quick connector plug

### Valve Specifications

**Sizes:** 1/2" to 2"

**Connection Type:** NPT Female

**Max Pressure:**

1/2", 3/4", & 1": 2000 psi @ 70°F  
1 1/2" & 2" : 1500 psi @ 70°F

**Operating Temp. Range:** -4 to 122°F

**Storage Temp. Range:** -40 to 185°F

**Port:** Full Port

### Valve Materials of Construction

**Valve Body:** CF8M Stainless Steel

**Stem:** 316 Stainless Steel with FKM O-ring

**Ball:** 316 Stainless Steel

**Stem Packing:** Molecularly Enhanced Virgin Teflon (ME-PTFE) - Adjustable

**Seats:** Molecularly Enhanced Virgin Teflon (ME-PTFE)

### Actuator Specifications

**Voltage:** 12 VDC

**Current Draw:** Varies (see table next page)

**Wiring:** 3 wires; Power (+), Power (-), control (+)

**Operation:** On/Off - Reversing motor with end of travel limit switches

**Control Method:** 12 VDC + to open

**NEMA Rating:** 4, 4X, 6P, 7D

**Speed:** 0.8, 1.5, or 3 sec. (see table next page)

### Actuator Materials of Construction

**Housing:** UV modified, glass-filled nylon

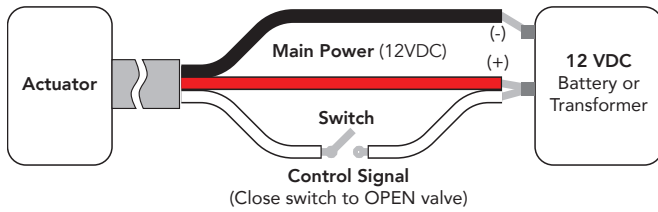
**Screws:** Stainless Steel

**Brackets:** Stainless Steel

**Stem Socket:** Stainless Steel

# KZ-SS2 Electrically Actuated Stainless Steel Ball Valves

## Actuator Wiring



These actuators operate using a constant 12VDC power supply, however, minimal electricity is being used when the actuator is not moving. When the +12VDC control signal is energized, the valve will travel from closed to open and the motor is stopped by an "end of travel" switch inside the actuator. When this control signal is de-energized, the valve will travel from open to closed and is again stopped by an "end of travel" switch.

## Model Code for Ordering

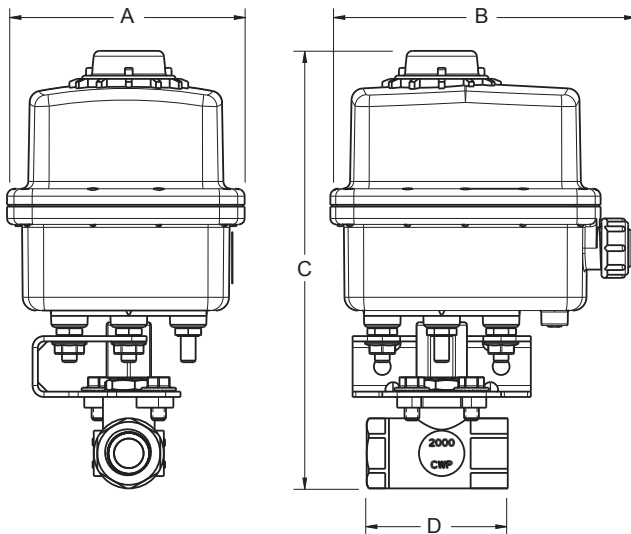
**KZ-2B-SS2-050**

**KZ Series** \_\_\_\_\_  
**Valve Type** \_\_\_\_\_  
 2B = 2-way ball valves  
**Body Material** \_\_\_\_\_  
 SS2 = Stainless steel (2-piece)  
 SS3 = Stainless steel (3-piece) (special order)

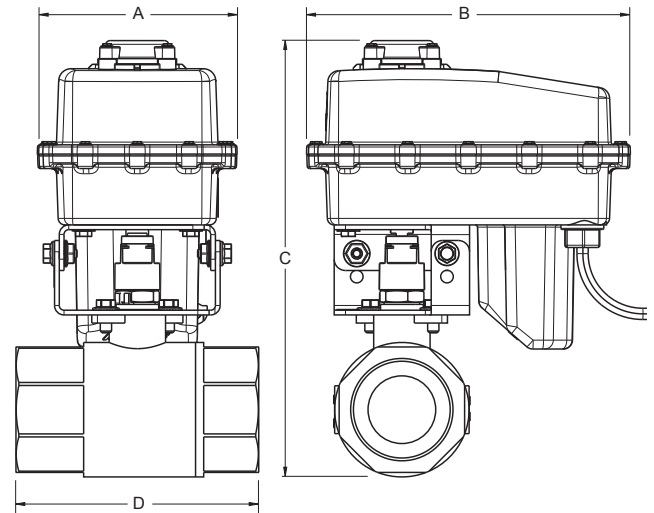
**Size** \_\_\_\_\_  
 050 = 1/2"  
 075 = 3/4"  
 100 = 1"  
 150 = 1 1/2"  
 200 = 2"

## Dimensions & Weights (in inches & lbs.)

1/2" & 3/4"



1", 1 1/2", 2"



Size	NPT (female)	A	B	C	D	Speed (seconds)	Current Draw (running)	Current Draw* (stalled)	Cv** (gpm)	Weight (lbs.)
050	1/2"	4.0	5.1	7.4	2.4	0.8	1 A	5 A	15	call
075	3/4"	4.0	5.1	8.0	3.2	0.8	1 A	5 A	30	call
100	1"	4.4	7.2	8.4	3.4	1.5	1.5 A	9 A	43	call
150	1 1/2"	4.4	7.2	9.3	4.4	1.5	1.5 A	9 A	84	call
200	2"	4.4	7.2	9.7	5.4	3.0	2 A	6 A	108	call

\*Stalled means that something is obstructing the valves from closing. This will not happen during appropriate usage.

\*\*Cv is the flow capacity of water in gpm that is possible with only a 1 psi pressure drop.