



Paddle Bellows Flow Monitor for Air



measuring
•
monitoring
•
analysing

LPS



- Switching range:
1 ... 8 m/s (switching off)
2.5 ... 9.2 m/s (switching on)
- t_{\max} : 85 °C
- Connection:
connection plate (102 x 77 mm)
- Material:
brass (lever),
stainless steel (paddle)



KOBOLD companies worldwide:

ARGENTINA, AUSTRIA, BELGIUM, BULGARIA, CANADA, CHILE, CHINA, COLUMBIA, CZECHIA, DOMINICAN REPUBLIC, EGYPT, FRANCE, GERMANY, GREAT BRITAIN, HUNGARY, INDIA, INDONESIA, ITALY, MALAYSIA, MEXICO, NETHERLANDS, PERU, POLAND, ROMANIA, SINGAPORE, SOUTH KOREA, SPAIN, SWITZERLAND, TAIWAN, THAILAND, TUNISIA, TURKEY, USA, VIETNAM

KOBOLD Messring GmbH
Nordring 22-24
D-65719 Hofheim/Ts.
Head Office:
+49(0)6192 299-0
+49(0)6192 23398
info.de@kobold.com
www.kobold.com

Description

The monitored air stream acts on the paddle and over a mechanism actuates the dust-proof microswitch that signals whether the set min. or max. volume of air flows. The KOBOLD flow monitor is suited for universal application as the switch/signalling point can be finely adjusted over a broad range.

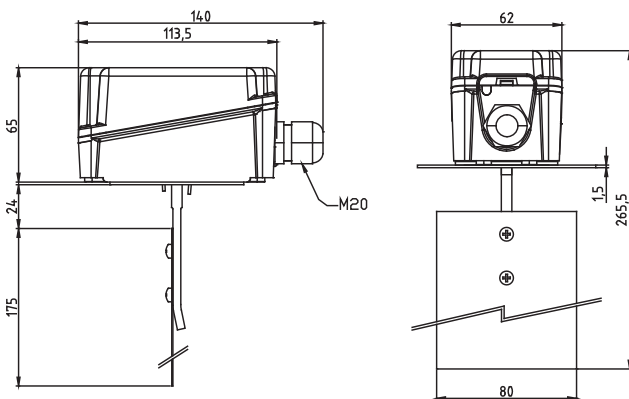
Applications

- in air ducts in air conditioning systems
- in air discharge and exhaust gas channels
- in pneumatic conveyors
- on filters
- on cyclones
- on cooling and drying plant
- Ventilator /blower performance monitoring

Setting

The device is set to 1 m/s at the factory. The switch-off value can be set higher by rotating the range screw. The paddle should be cut at the marking if required (>5 m/s air speed). Thus the min. switch-off value is increased to 2.5 m/s and the min. switch-on value to 4 m/s.

Dimensions



Technical Details

- Switch-off values: min. 1,0 m/s
max. 8,0 m/s
- Switch-on values: min. 2,5 m/s
max. 9,2 m/s
- Differential gap: ≥ 1 m/s
- Mounting position: vertical, in horizontal air ducts
- Inlet and outlet pipe sections: fivefold pipe cross-section upstream and downstream of the vane
- Temperature: max. 85 °C (medium and environment)
- Protection: IP 65 (from outside the channel)

Materials

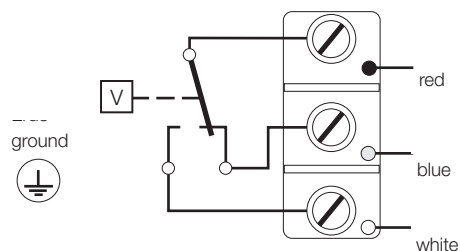
- Paddle: 0,2 mm stainless steel material no. 1.4301
- Lever: brass Ms 58
- Gehäuse: ABS, glass-fibre-reinforced mounting plate zinc-plated
- Connection plate: steel zinc-plated
- Flat gasket: Flexoid

Electrical details

- Dust-proof microswitch as single-pole changeover contact
- Switching voltage: max. 24 - 250 V_{AC}
- Switching current: max. 8 A (for inductive load)
max. 15 A (for resistive load)
- Air temperature: max. 85 °C

Electrical connection

RED-WHITE opens with decreasing speed
RED-BLUE closes with increasing speed



Order Details (Example: LPS-1100)

Description	Order number
Air-flow indicator	LPS-1100P