

WM-NLC Lead-Free Brass Water Meters



Certified to NSF/ANSI 61-G

Description

The WM-NLC Series meter is a multijet dry-type totalizing water meter available in sizes from 1/2" to 2". It is produced in an ISO9001 certified production facility and is constructed in conformance with AWWA C708 standards. The product complies with NSF/ANSI 61 Annex G and conforms with lead-free plumbing as defined by California, Vermont, Maryland and Louisiana state laws and the U.S. Safe Drinking Water Act that took effect January, 2014. It is an ideal choice for a range of municipal and industrial water metering applications.

Water flows through the meter's internal inlet strainer and into the measuring chamber where it drives the impeller. A driving magnet transmits the movement of the impeller to a driven magnet located within the sealed register. The magnet is connected to a gear train which translates the impeller rotations into volume totalizers displayed on the meter's register dial face.

The WM-NLC Series water meter is top loaded and consists of three basic components: main case, measuring chamber, and head ring. The main cases of all sizes are constructed using C87850 low-lead brass alloy.

Features

- All parts in contact with water are constructed of corrosion resistant materials
- Body and coupling are made with low-lead brass alloy C87850 and meets potable water standards
- Impeller is the only moving part in contact with water, giving the meter long life and consistent, reliable operation
- Extra filter at the inlet of the meter body permits cleaning without having to open the meter
- Dial plate design in US Gallons
- Optional lead-free check valve to avoid reverse flow
- Optional pulse output consisting of plastic housing with 2-wire (red and black) reed switch and cable

Specifications

Pressure: up to 150 PSIG

Temperature: up to 122°F

Maximum Reading:

9,999,999.99 (sizes 050 to 100)

99,999,999.9 (sizes 150 & 200)

Accuracy:

Normal flow: +/- 1.5%

Low flow: +/- 3%

Materials of Construction: Lead Free Brass

Optional Pulse Output



Sensor Type: Dry contact Reed switch

Pulse Rates: varies with size (see ordering information)

Max. Current: 10mA

Max. Voltage: 24 VAC/DC

Cable Length: 5' standard (2000' maximum run)

WM-NLC Lead-Free Brass Water Meters

Sizes & Flow Rates (in gpm)

Size	Normal	Low	High
050	1 to 20	0.25	20
075	1 to 20	0.25	20
100	3 to 50	0.75	50
150	5 to 100	1.50	100
200	8 to 160	2.00	160

Model Code for Ordering

WM-NLC-050-R/IP

Water Meter _____

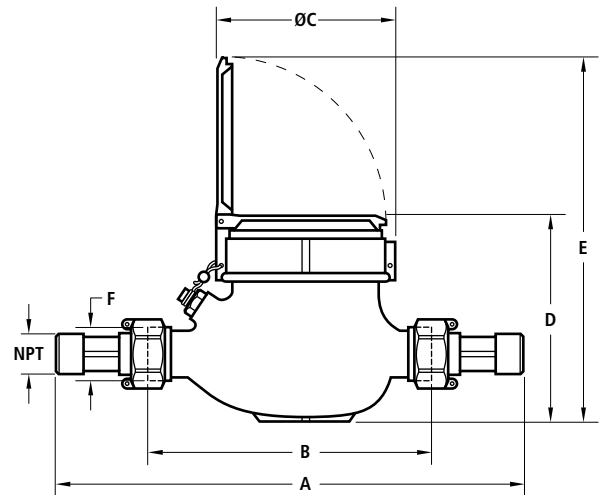
Body Material _____
NLC = Lead Free Brass

Line Size _____
050 = 1/2" NPT
075 = 3/4" NPT
100 = 1" NPT
150 = 1 1/2" NPT
200 = 2" NPT

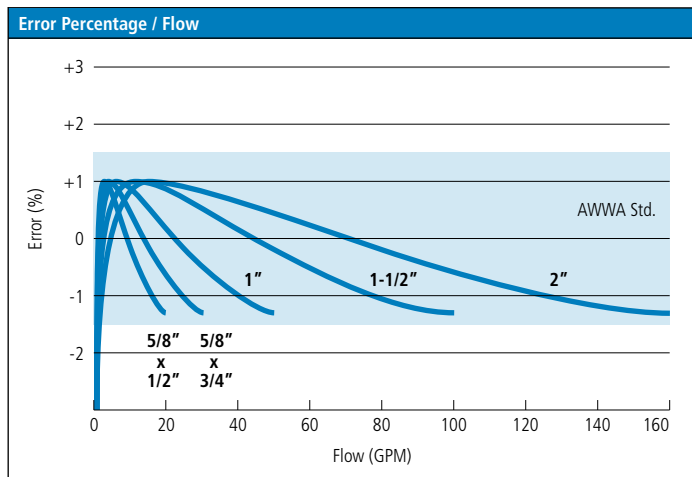
Pulse Output (optional) _____
Omit = None
R/IP = 1 pulse per gallon (050, 075, 100)
R/2P = 2 pulse per gallon (050, 075, 100)
R/10P = 10 pulse per gallon (075, 100)
R/20P = 20 pulse per gallon (075, 100)
R/10G = 1 pulse per 10 gallons (150, 200)
R/5G = 1 pulse per 5 gallons (150, 200)

Dimensions & Weights (in inches & lbs.)

Size	NPT (male)	A	B	C	D	E	F	Weight
050	1/2"	10.20	7.5	3.7	4.3	7.6	0.75	3.75
075	3/4"	11.57	7.5	3.7	4.3	7.6	1.00	4.25
100	1"	15.20	10.3	3.9	4.7	8.2	1.25	6.50
150	1 1/2"	17.00	11.9	4.9	5.6	10.1	2.00	8.25
200	2"	17.00	11.9	4.9	5.6	10.1	2.50	13.75



Accuracy Curves



Head Loss Curves

