

Industrial Grade Electronic Digital Meters Conditioned Signal Output Module

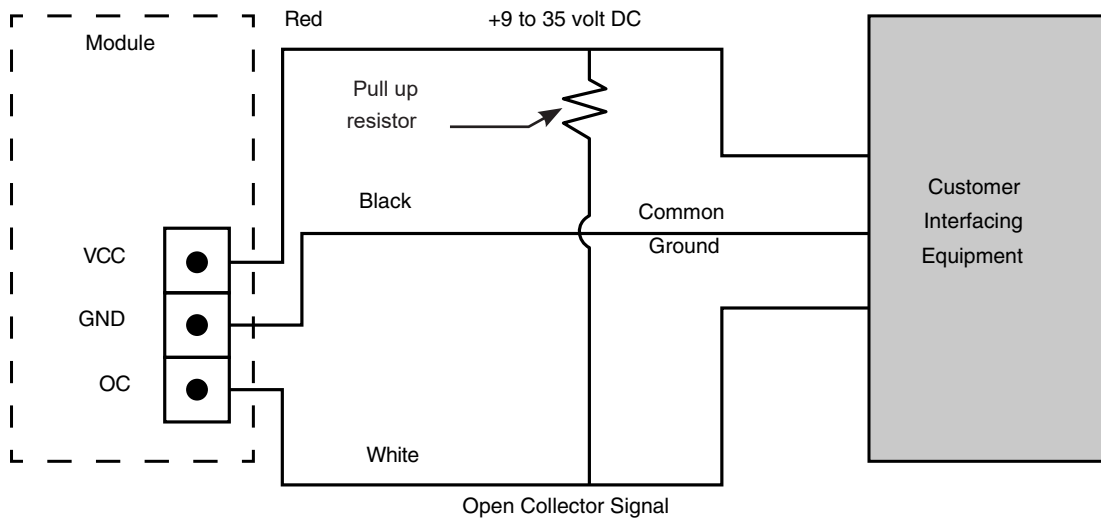
Installation Instructions

Open Collector Signal Output

This module has been internally pre-wired at the factory. To achieve an open collector signal output, use the wiring diagram below to connect the cable to customer interfacing equipment.

The terminal block is located on the back right side of the module. The module is factory assembled for open collector signal output. Please provide the (820 ohm minimum) resistor.

Ten feet (3m) of cable is provided with the module. Trim it to the desired length or extend it as necessary. Distances up to 5,000 ft. (1,524m) can be achieved.



WEEE DIRECTIVE



The Waste Electrical and Electronic Equipment (WEEE) directive (2002/96/EC) was approved by the European Parliament and the Council of the European Union in 2003. This symbol

indicates that this product contains electrical and electronic equipment that may include batteries, printed circuit boards, liquid crystal displays or other components that may be subject to local disposal regulations at your location. Please understand those regulations and dispose of this product in a responsible manner.

The terminal block is identified as follows:

VCC	+9 to 35 volt DC Input
GND	Common Ground
OC	Open Collector Signal Output